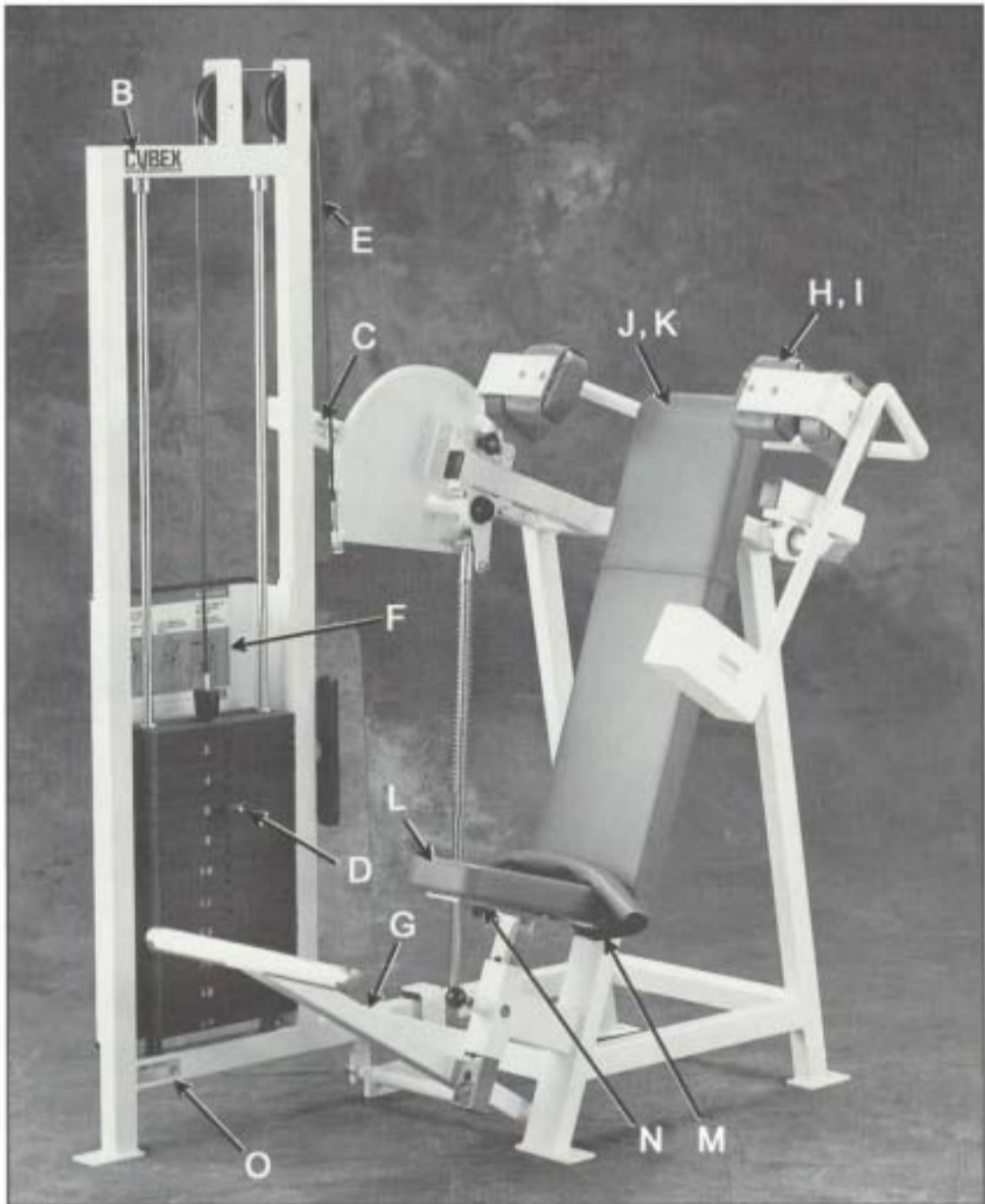


PULLOVER

4000

ASSEMBLY & PARTS



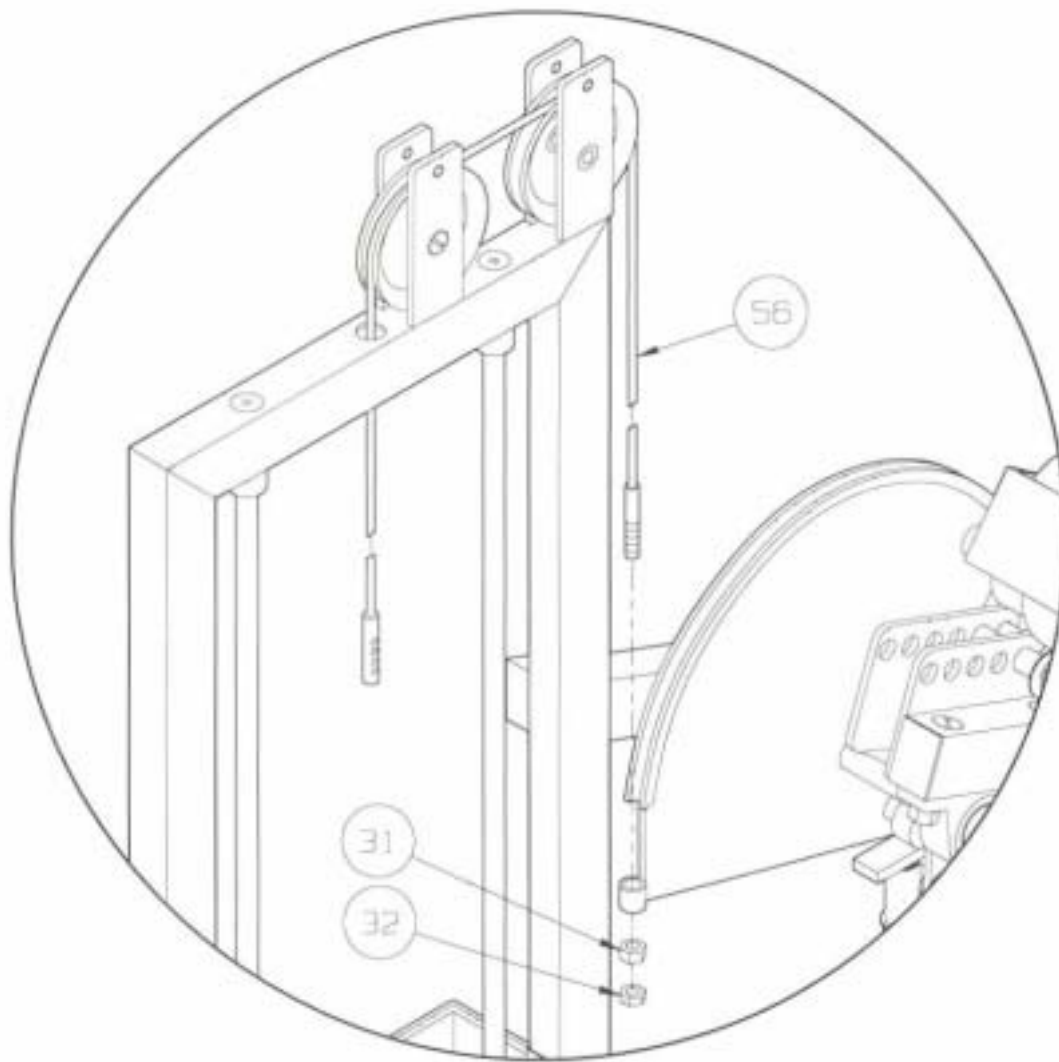
DESCRIPTION	PART NO.	DESCRIPTION	PART NO.
A. CYBEX STRENGTH SYSTEMS DECAL (NOT SHOWN)	4000Y313	H. CUSHION WITH WEAR COVER (ITEM I).....	4000S114-0
B. SMALL CYBEX DECAL (WHITE).....	5300Y110	I. WEAR COVER	4000S115-0
B. SMALL CYBEX DECAL (GREY).....	5300Y130	J. CUSHION WITH WEAR COVER (ITEM K).....	4025S038-0
C. CAUTION DECAL.....	4000Y316	K. WEAR COVER.....	4000S118-0
D. QUICK RELEASE PIN.....	BH030201	L. CUSHION.....	4000S104-0
E. CABLE SUBASSEMBLY	4000S083	M. LAP BELT-BUCKLE HALF.....	4000S216-0
F. PLACARD DECAL	4000Y312	N. LAP BELT-CONNECTOR HALF.....	UB050204
G. NON-SLIP FABRIC.....	4000M197	O. SERIAL NUMBER DECAL	
UPHOLSTERY HARDWARE PACK.....	4000S210		

PARTS LIST (4000)

ITEM	QTY	PART NO.	DESCRIPTION
1	1	4000M317	GUARD
2	1	4000M069	PEDAL PIVOT SHAFT
3	2	4000M228	WEIGHT STACK GUIDE ROD
4	1	4000P159	CUSHION MOUNT
5	2	4000P220	GUIDE ROD COLLET
6	1	4000P306	BEARING SLEEVE WELDMENT
7	1	4000P307	LIFTER ARM
8	3	4000K224-9X	PILLOW BLOCK BEARING KIT
9	2	BG030201	STEEL PLUG 1.50 DIA
10	1	BH030203	QUICK RELEASE PIN .625 DIA X 2.00
11	1	BS070200	COMPRESSION SPRING
12	2	BS110202	SPRING .70 ID X 1.22 OD X 1.53 L
13	1	FB010200	FLANGE BRG .62 ID X .75 ODX.50 L
14	2	FB030220	MACHINERY BUSHING
15	1	FB030221	CAM FOLLOWER BRG .750 CROWN
16	2	FB050201	SLEEVE BEARING .62 X.75 X .88 L
17	2	FB050212	SLEEVE BEARING .75 X .88 X .62 L
18	2	GP000000	PULLEY ASSEMBLY 4.50
19	4	GP000004	PULLEY SPACER
20	2	GP000203	PULLEY CENTER
21	4	HN574300	EXPANSION NUT 10-24
22	2	HP007100	SPACER .51 ID X .105 THICK
23	1	HP266717	ROLL PIN .125 X 1.00
24	1	HY662912	SET SCREW .312-18 X .50
25	4	JC570412	BHSCS 10-24 X .50
26	4	JC700914	FHSCS .375-16 X .62
27	2	JC780930	FHSCS .500-13 X 2.50
28	6	JC780934	FHSCS .500-13 X 3.00
29	1	JD383312	SHOULDER BOLT .500 X .50 .375-16
30	1	JD403314	SHOULDER BOLT .625 X .62 .500-13
31	1	JN734200	HEX NUT .438-14
32	1	JN734400	JAM NUT .438-14
33	6	HN784000	HEX NUT .500-13
34	1	JN794400	JAM NUT .500-20
36	1	HS326300	SPLIT LOCKWASHER .312
36	7	JS387400	INT TOOTH LOCKWASHER .500
37	2	PP080204	PLASTIC CAP .625 ID X .68 OD
38	3	PP090000	PLASTIC INSERT 1.5 X 2.0 X 11 GA
39	1	PP090200	PLASTIC INSERT 1.75 SQ X 11 GA
40	4	PP240200	BLACK QUICK EDGE TRIM
41	1	PP460200	PLASTIC KNOB .312-18
42	1	PU080201	BUMPER
43	1	PU060203	BUMPER
44	3	01190	BLACK VINYL END CAP
45	1	01112	COUNTERWEIGHT
46	4	HC700415	BHSCS .375-16 X .75
47	1	4000W002	FRAME SUBASSEMBLY
48	1	4000K000	HANDLEBAR SUBASSEMBLY WITH COUNTERWEIGHT
		4000K001	HANDLEBAR SUBASSEMBLY WITHOUT COUNTERWEIGHT

ITEM	QTY	PART NO.	DESCRIPTION
49	1	4000W302	START PEDAL SUBASSEMBLY
50	10	JC700920	FHSCS .375-16 X 1.25
51	2	JC700930	FHSCS .375-16 X 2.50
52	2	JC780917	FHSCS .500-13 X 1.00
53	2	HN784000	HEX NUT .500-13
54	2	JS387400	INT TOOTH LOCKWASHER .500
55	1	YA000205	THREADLOCKER ADHESIVE
56	1	4000S083	CABLE S/A
57	3	FB030201-1	ECCENTRIC COLLAR
58	3	FB030201-3	SET SCREW

NOTE: x denotes specific color



CABLE ROUTING DETAIL

CYBEX[®]
STRENGTH SYSTEMS